

# INSTRUCTION MANUAL



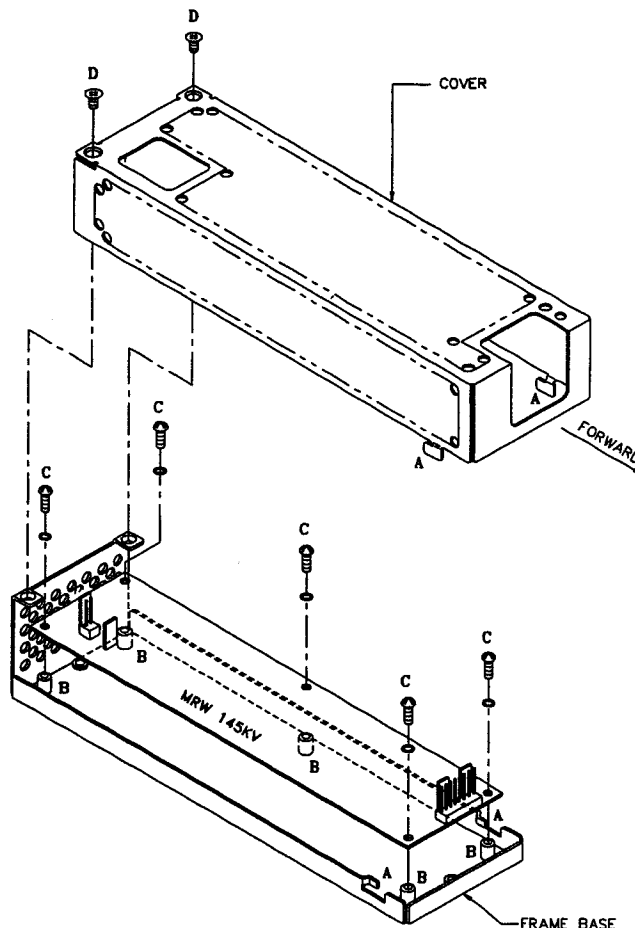
## KEPCO

### CA-32 COVER

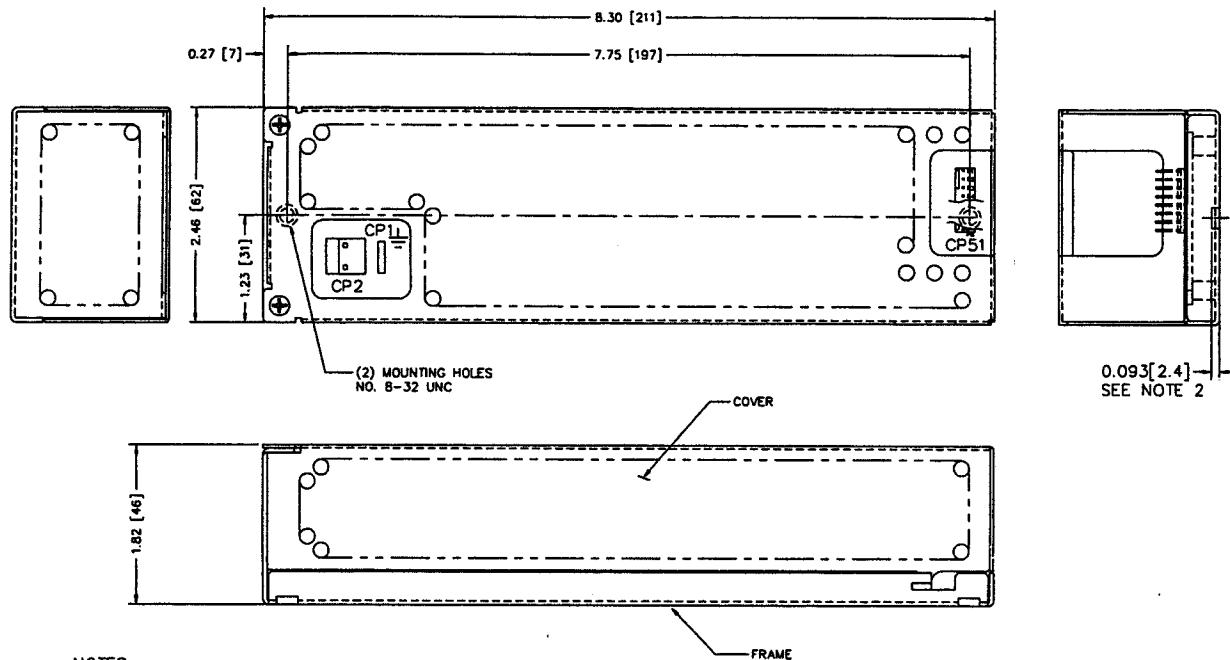
### ENCLOSURES AND HARDWARE SYSTEMS

**DESCRIPTION:** The Kepco Model CA-32 Cover (see figure below) is supplied for use with Kepco MRW 145KV Power Supply. This easily installed, two-part steel cover is an option designed for shielding and protection. Required installation hardware is provided.

- 1) Remove cover from frame base by removing tape (not shown), disengaging tabs marked (A), and sliding cover forward.
- 2) Remove and retain hardware from poly bag (not shown) taped to frame base.
- 3) Position MRW 145KV Power Supply over the five threaded spacers on the frame base marked (B), as indicated.
- 4) Fasten MRW 145KV Power Supply to frame base with five 6-32 x 5/16 round head Phillips screws (PN 101-0303) marked (C), and five #6 lockwashers (PN 103-0015).
- 5) Drop cover in place by engaging tabs marked (A) and sliding cover backward. Attach frame base to cover with two M3x4.5mm flat head Phillips screws (PN 101-0435) marked (D).
- 6) Connections to CP1, 2, and 51 are via cutouts on cover top.



COVER INSTALLATION



NOTES:

1. MATERIAL: FRAME 0.048 (1.22) CRS  
COVER: 0.036 (0.91) CRS
2. FINISH: COVER AND FRAME ZINC PLATED, CHROMATE WASH
3. DIMENSIONS IN PARENTHESES ARE IN MILLIMETERS.
4. SCREW FOR 8-32 MOUNTING HOLES NOT TO BE SCREWED IN MORE THEN 0.27(7.0) FROM FRAME SURFACE.
5.  $\pm 0.04$  ( $\pm 1$ ) TOLERANCE UNLESS OTHERWISE SPECIFIED.

MECHANICAL OUTLINE DRAWING OF COVER CA-32